

Exchange
for good

— MADE IN ITALY —



TAILOR MADE
HEAT EXCHANGERS
CIPRIANI

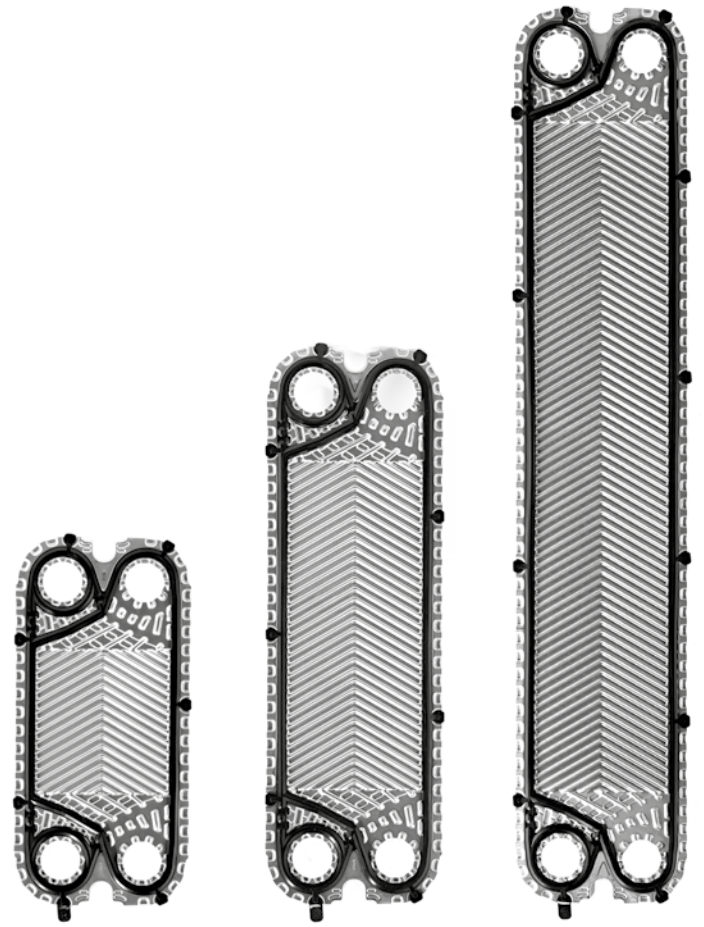
GAMMA PRODOTTI / PRODUCT RANGE DN 32+

Standard o Personalizzabili
Standard or Customized



Exchange
for good

TAILOR MADE
HEAT EXCHANGERS
CIPRIANI



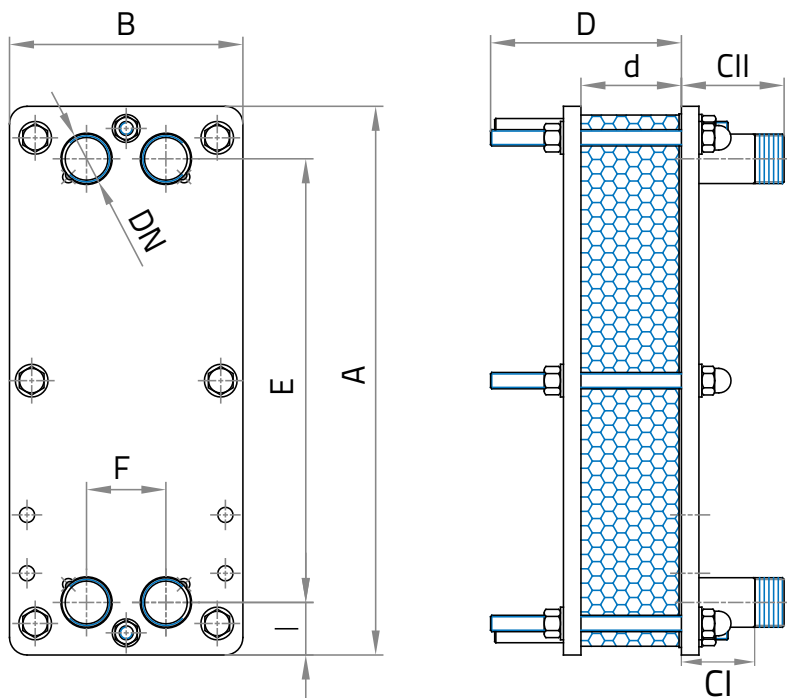
Gamma Prodotti	Product Range	P020+				P040+				P080+			
Area di scambio [m ²]	Exchange area [m ²]	0,021				0,041				0,081			
Larghezza [mm]	Width [mm]	145				145				145			
Altezza [mm]	Height [mm]	305				455				740			
Diametro connessioni	Connections diameter	DN32 1"1/4				DN32 1"1/4				DN32 1"1/4			
Capacità canale [l]	Channel capacity [l]	0,063				0,103				0,181			
Quota di serraggio [mm]	Tightening quote [mm]	2,9				2,9				2,9			
Peso piastra (con guarnizione) [Kg]	Plate weight (with gasket) [Kg]	0,18				0,27				0,45			
Angolo di corrugazione	Corrugation angle	A				A				A			
Portata max d'acqua [m ³ /h]	Max. water flowrate [m ³ /h]	19				19				19			
PS=> Pressione max di esercizio [bar]	PS=> Max working pressure [bar]	6	10	16	25	6	10	16	25	6	10	16	25

Ex art. 3.3 D.Lgs. 93 del 25/02/2000 in applicazione Direttiva 97/23. I valori di pressione indicati si riferiscono a piastre AISI 316L.
Ex art. 3.3 D.Lgs. 93 of 25/02/2000 in accordance with Directive 97/23/CE. Announced pressions are referred to AISI 316L plates.

DN32	DN50	DN65	DN100	DN150	DN200
-------------	-------------	-------------	--------------	--------------	--------------

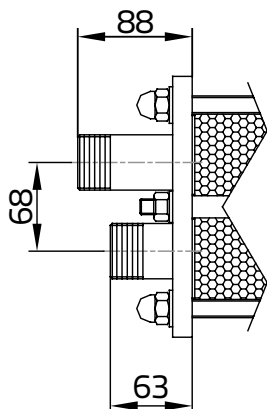
Tutti i dati e disegni nel presente documento possono subire variazioni senza preavviso e non sono vincolanti per il produttore.
All data and drawings herewith described can be changed without prior notice and are not binding for the manufacturer.

DIMENSIONI TELAI / FRAMES DIMENSIONS



		S020+			S040+			S080+			
A		320			470			755			
B		200			200			200			
E		230			380			665			
F		68			68			68			
I		45			45			45			
Np max		29	49	75	29	49	75	29	49	75	101
D max		169	269	469	169	269	469	169	269	469	580
d (J-J)		2,9 x Np+2			2,9 x Np+2			2,9 x Np+2			
DN		DN32 1"1/4			DN32 1"1/4			DN32 1"1/4			
J-J	C I	63			63			63			
	C II	88			88			88			
M-M	C	73			73			73			
J-M	C I	59			59			59			
	C II	73			73			73			
Y-Y	C I	63			63			63			
	C II	118			118			118			
X-X K-K	C I	180			180			180			
	C II	176			176			176			

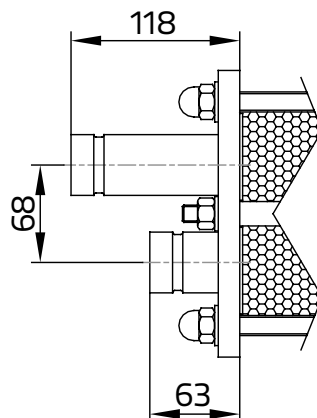
Tutte le dimensioni sono in mm - Np = numero di piastre. All dimensions are in mm - Np = number of plates.



J-J

Attacchi mobili filettati maschio in AISI 316.

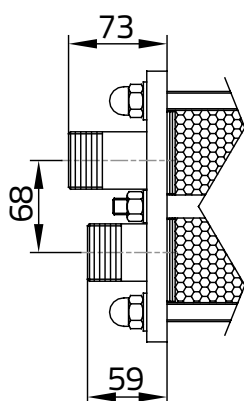
AISI 316 male threaded connections.



Y-Y

Attacchi mobili a estremità scanalata in AISI 316.

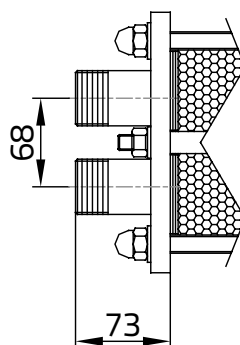
AISI 316 grooved pipe connections.



J-M

Attacchi mobili filettati maschio in AISI 316 e PP.

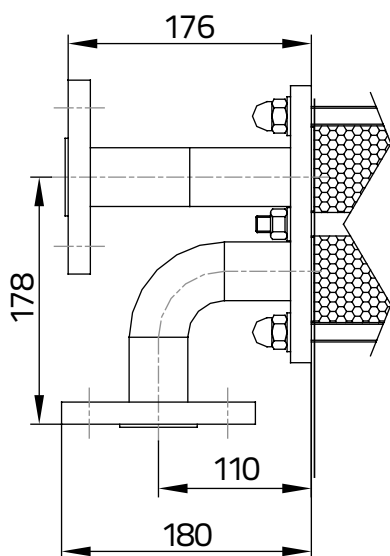
AISI 316 and PP male threaded connections.



M-M

Attacchi mobili filettati maschio in PP.

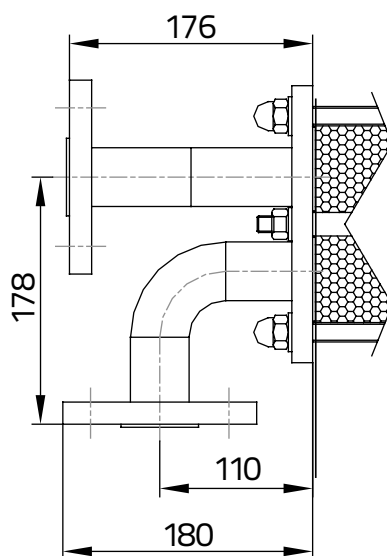
PP male threaded connections.



X-X

Flange mobili in AISI 304 (EN 1092-1). Tubo in AISI 316.

AISI 316 pipes with AISI 304 loose flanges EN 1092-1.

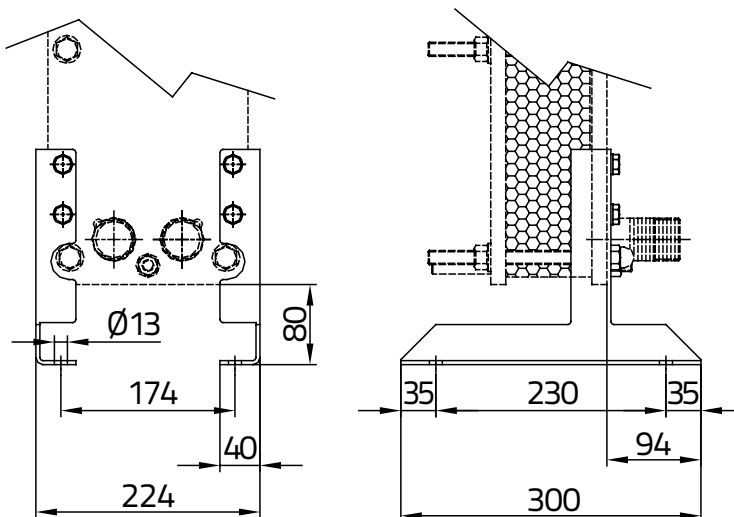


K-K

Flange mobili in acciaio al carbonio verniciato (EN 1092-1). Tubo in AISI 316.

AISI 316 pipes with painted carbon steel loose flanges EN 1092-1.

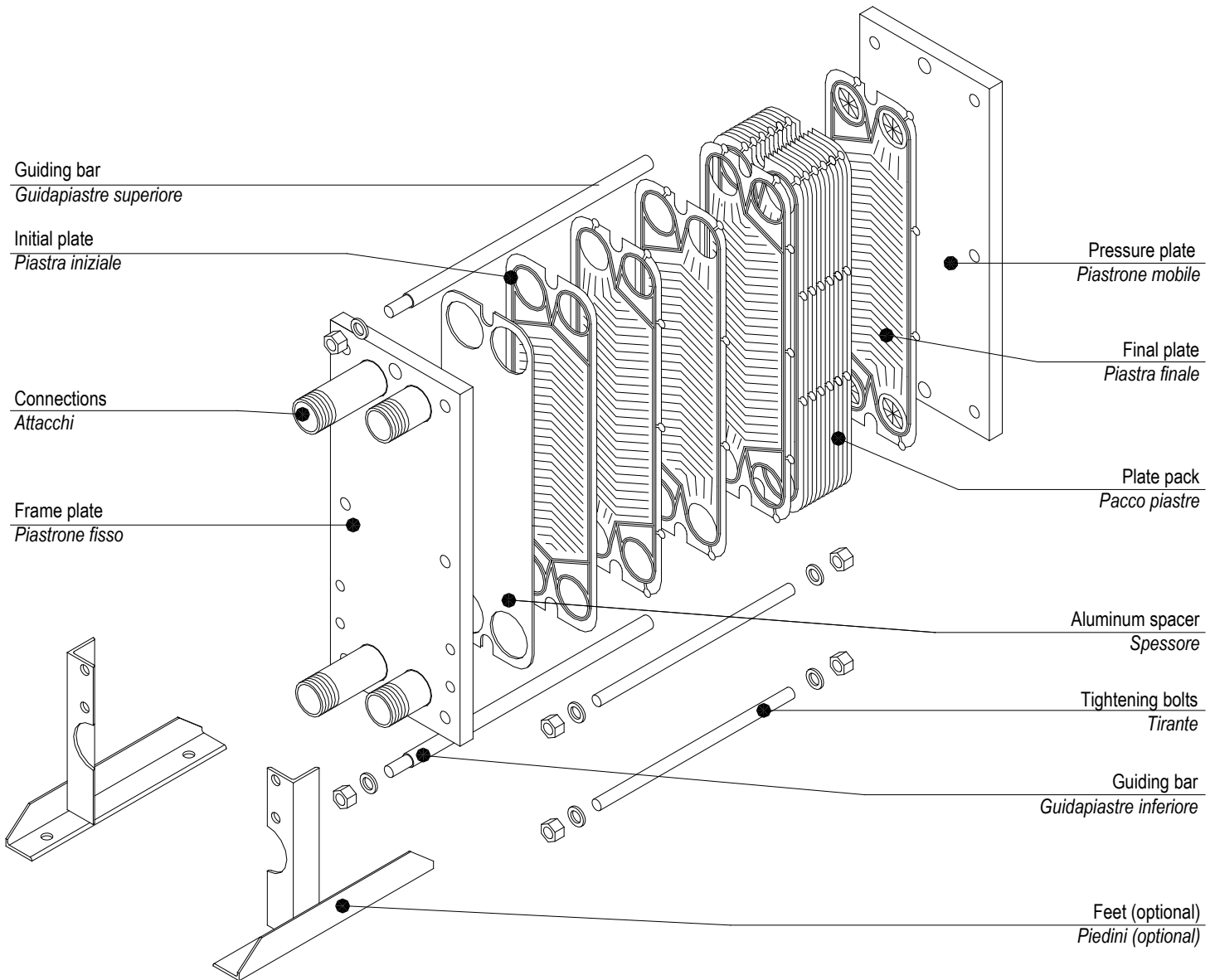
PIEDINI / FEET



MATERIALI / MATERIALS

		S020+	S040+	S080+
Piastr Plates	AISI 304	●	●	●
	AISI 316L	●	●	●
	254 SMO	●	●	●
	Titanio / Titanium	●	●	●
Guarnizioni Gaskets	NBR	●	●	●
	EPDM Prx.	●	●	●
	FPM	●	●	●
	HNBR	●	●	●
Telai Frames	Acciaio Carbonio / Carbon steel	●	●	●
	AISI 304, pieno / solid		●	●
Attacchi Connections	J-J	●	●	●
	Y-Y	●	●	●
	J-M	●	●	●
	M-M	●	●	●
	X-X	●	●	●
	K-K	●	●	●
Materiali guarnizioni e temperature massime Gaskets material maximum temperatures				
NBR	-20 °C		110 °C	
EPDM Prx.	-20 °C		160 °C	
FPM	-20 °C		200 °C	
HNBR	-20 °C		160 °C	

Le temperature devono essere considerate non applicabili in tutte le condizioni di lavoro.
The temperatures must be considered not applicable in all working conditions.



CERTIFICATIONS APPROVALS

ISO 9001
BUREAU VERITAS
Certification



- ISO EN 9001:2015
European Quality Certificates



- PED 2014/68/UE
Pressure Equipment Directive
Module B,D1 & D (up to Risk Cat. IV)



- ACS
Attestation de Conformité Sanitaire



- WRAS
EPDMprx gasket compound approved



- OHSAS 18001
Occupational Health and Safety



- ISO 14001
Environmental Management



Exchange
for good

Via Nassar, 46 - 37026 Pescantina (VR)
Tel. +39 045 6750065 • Fax +39 045 6750118
info@cipriani-phe.com
cipriani-phe.com